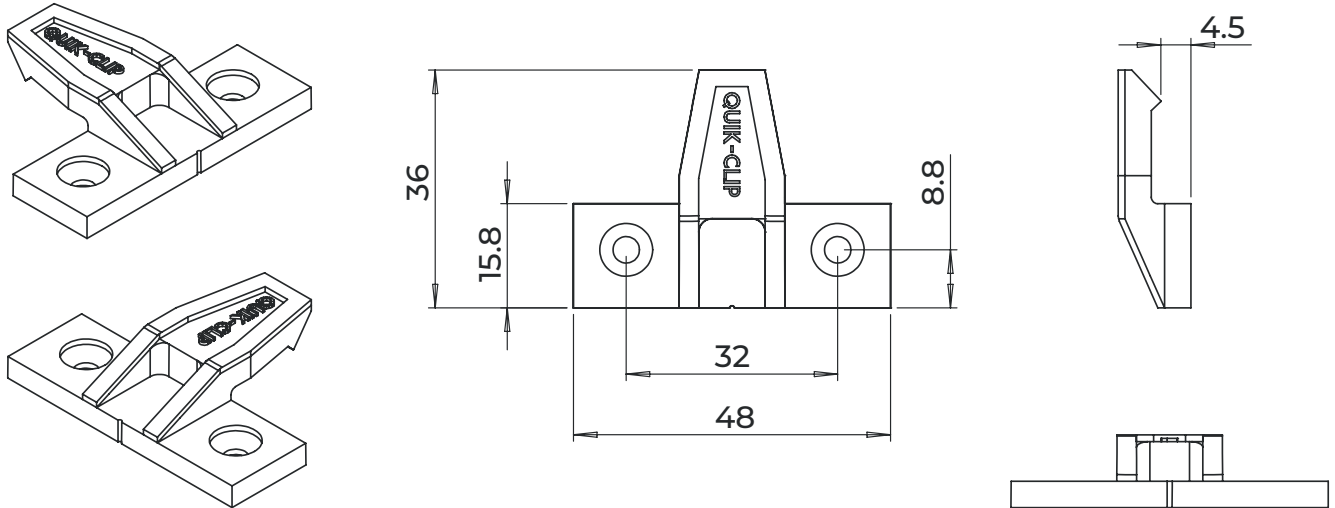
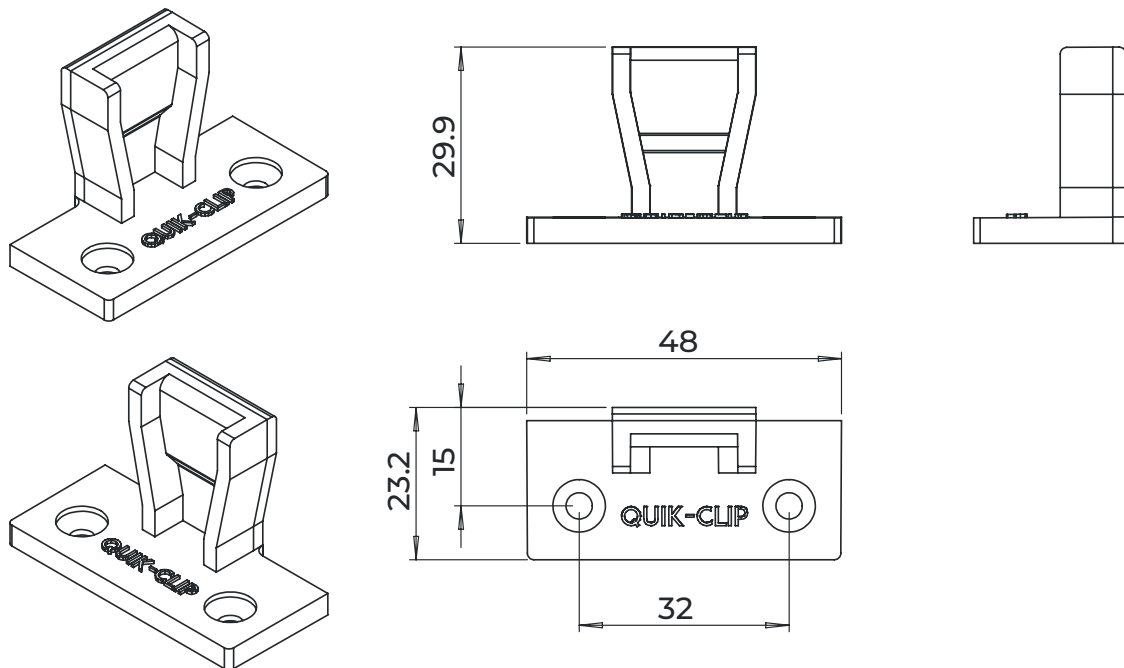


## Quik-Clip Panel Connectors

F15-010 - Male Black Push In Panel Connector

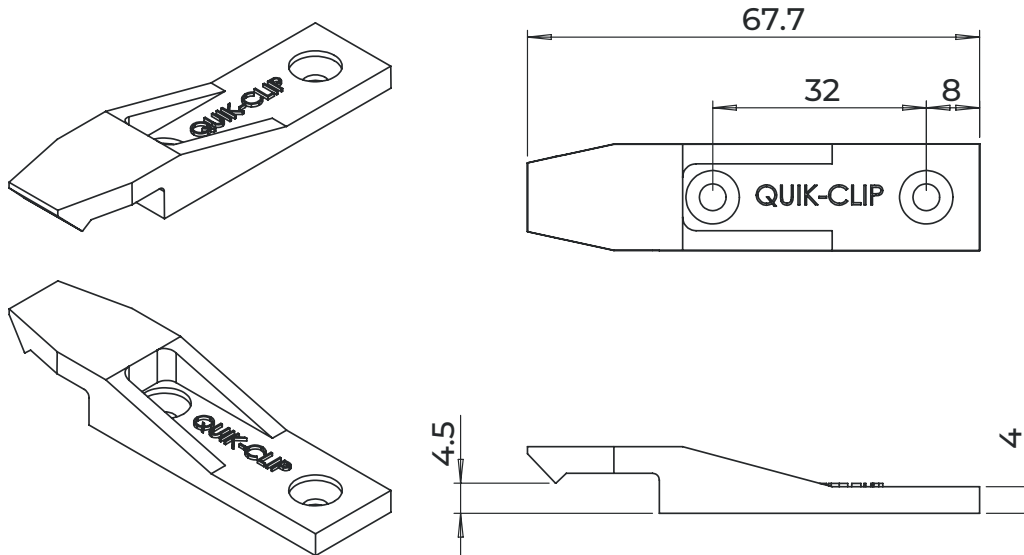


F15-020 - Female Black Push In Panel Connector



## Quik-Clip Panel Connectors

F15-030 - Male Black Suspension Panel Connector



F15-040 - Female Black Suspension Panel Connector

