

**VALO
DRAWER
SYSTEM >>**

PRODUCT BROCHURE

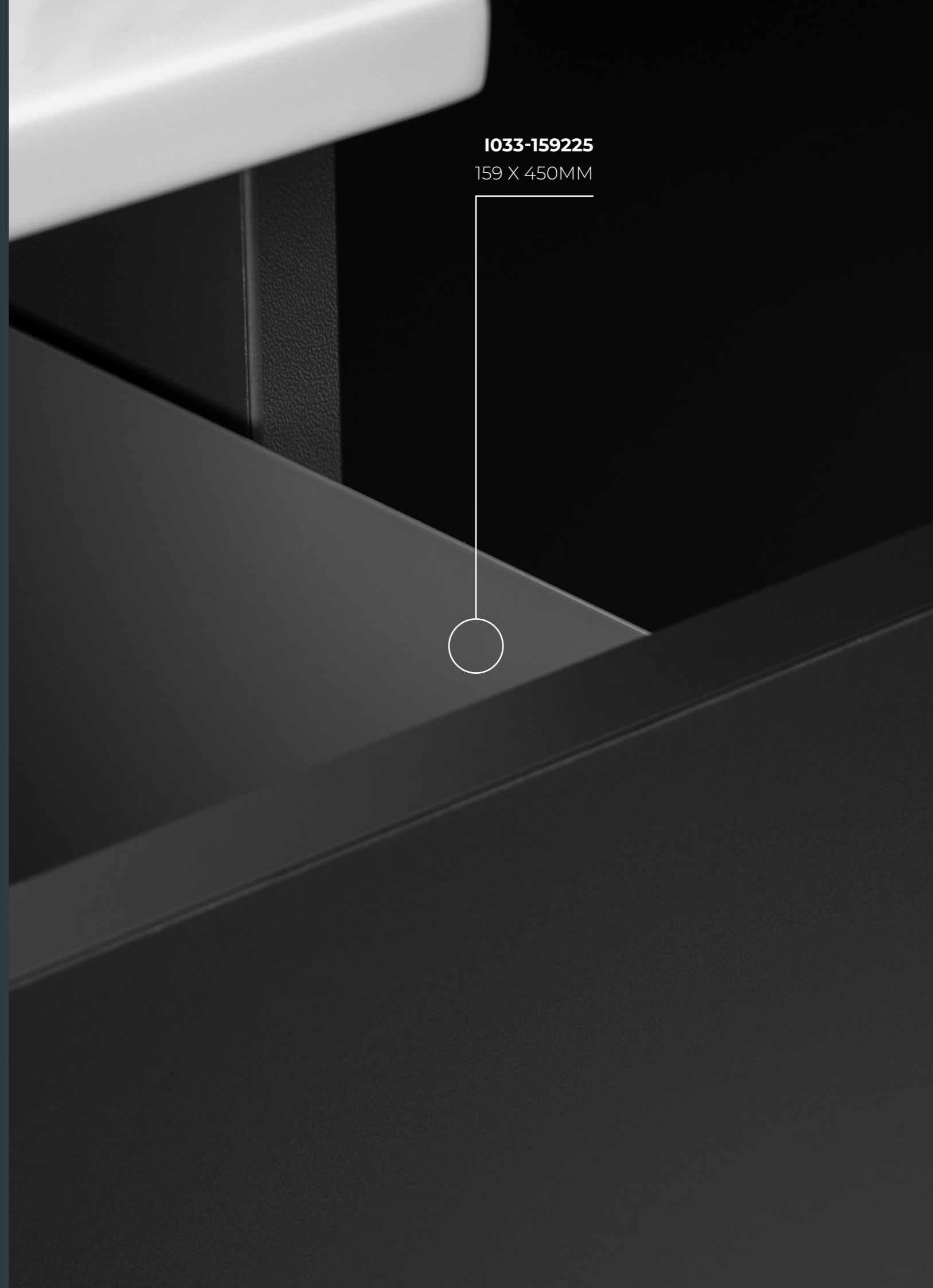
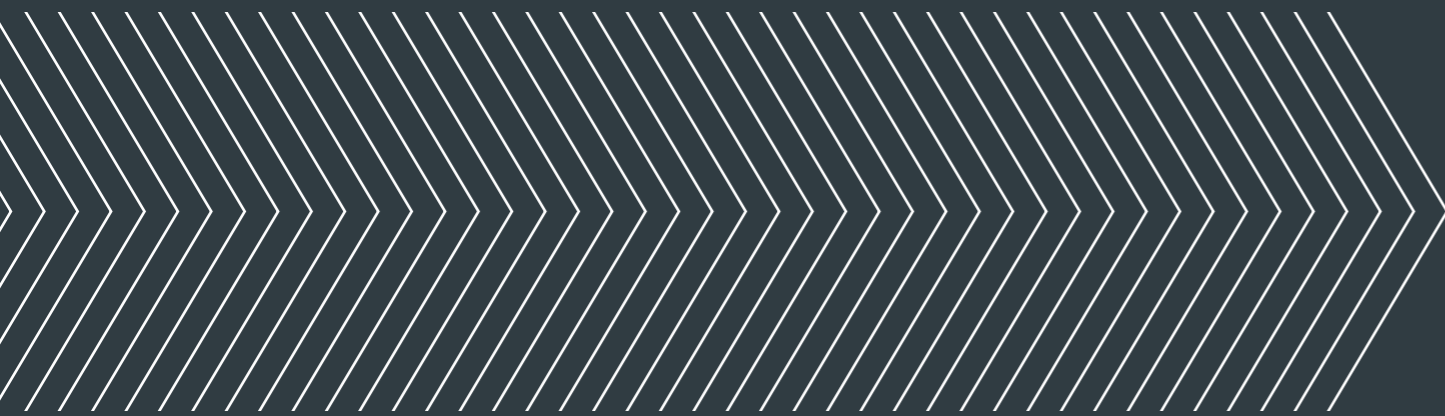
FORMED 

VALO DRAWER SYSTEM

Take the next step from single wall metal drawers with Valo. With its streamlined 2mm profile, the design allows for optimum use of space. There's no compromise on aesthetics either - featuring a contemporary anthracite finish, it looks the part on bedroom and contract furniture. Valo proves its possible to add a premium look and reliable functionality at a competitive price point.

- » **PART EXTENSION SOFT CLOSE RUNNERS**
- » **DYNAMIC LOAD CAPACITY: 25KG**
- » **FINISH: ANTHRACITE**
- » **BOARD THICKNESS COMPATIBILITY: 16-18MM**
- » **LIFETIME GUARANTEE**
- » **TOOL FREE ASSEMBLY & REMOVAL OF DRAWER**

I033-159225
159 X 450MM



84MM, 122MM & 159MM HEIGHT DRAWER SETS

Product Details

- » Board Thickness Compatibility: 18mm
- » Extension: Part Extension
- » Finish: Anthracite
- » Function: Soft Close
- » Load Capacity: 25kg

Part No.	Size	Box Qty
I033-84175	84 x 350mm	10
I033-84200	84 x 400mm	10
I033-84225	84 x 450mm	10



Part No.	Size	Box Qty
I033-122175	122 x 350mm	10
I033-122200	122 x 400mm	10
I033-122225	122 x 450mm	10



Part No.	Size	Box Qty
I033-159175	159 x 350mm	10
I033-159200	159 x 400mm	10
I033-159225	159 x 450mm	10



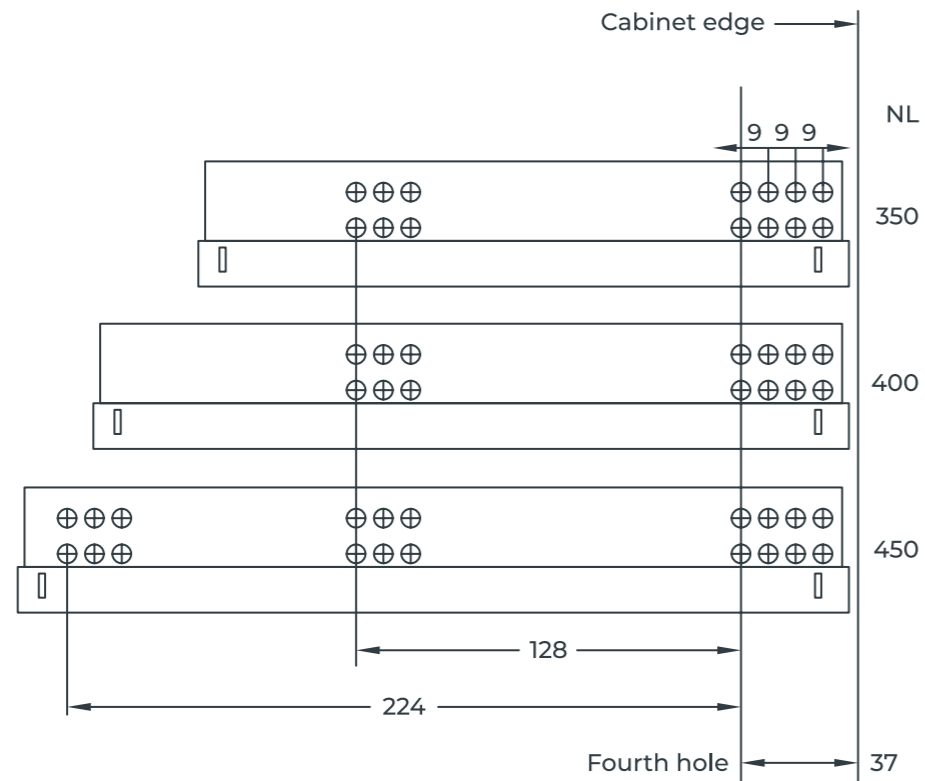
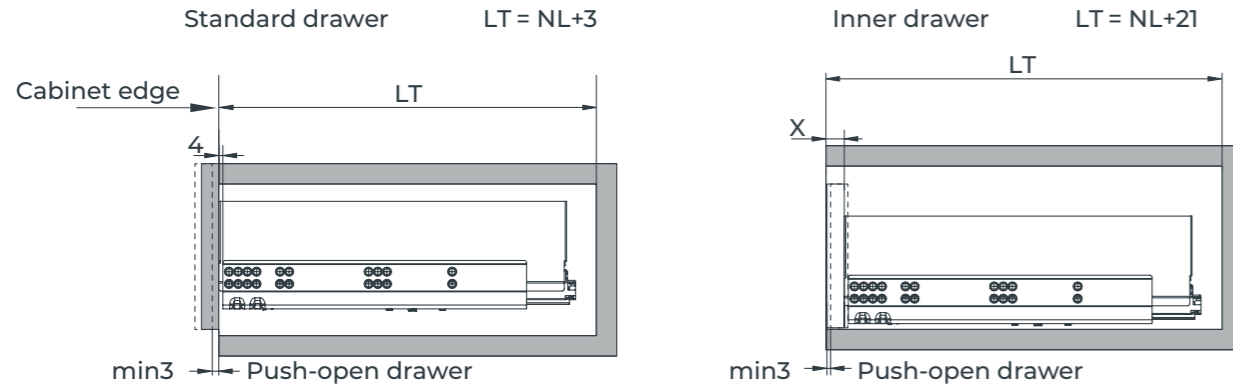
I033-122225
122 X 450MM



INSTALLATION DIMENSIONS

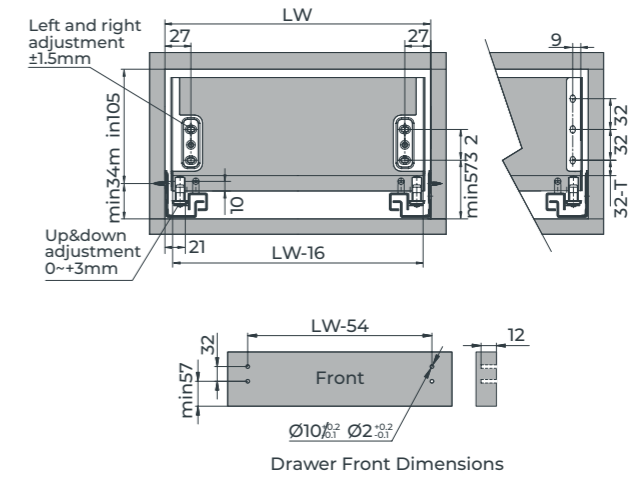
NL = Nominal Slide Length

LT = Internal Cabinet Depth



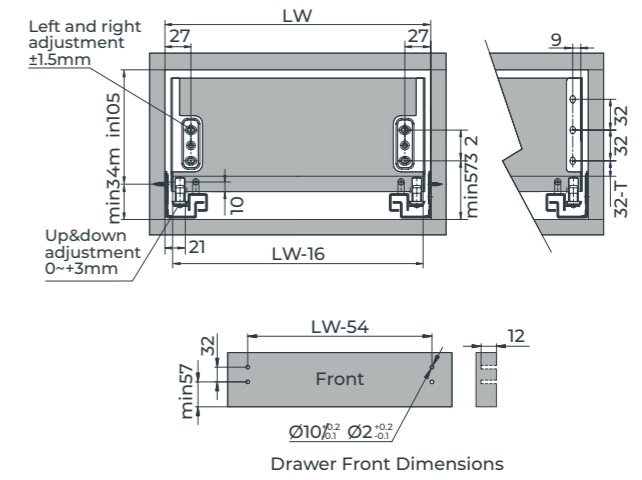
84MM HEIGHT INSTALLATION DIMENSIONS

LW = Internal Cabinet Width



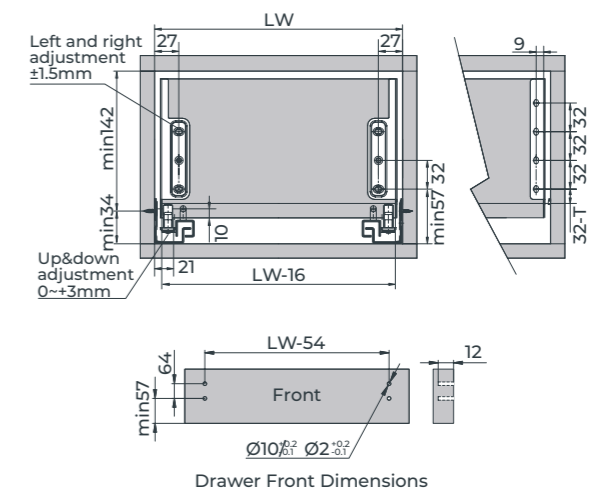
122MM HEIGHT INSTALLATION DIMENSIONS

LW = Internal Cabinet Width



159MM HEIGHT INSTALLATION DIMENSIONS

LW = Internal Cabinet Width





Formed Group Ltd.
2 Crofton Road Allenby
Road Ind. Est. Lincoln, LN3 4NL

+44 (0)1522 551 414
www.formed-uk.com
sales@formed-uk.com

